



30 - 2500 micron / 11,5 - 192 m³/h

HiFlux TS Strainer Filters for pressure systems are used where there is a need for efficient fine filtration with a large dirt capacity and low differential pressure.

The filters can be used as suction or pressure filters and have a simple and safe closure system which makes the cleaning time short, thereby maximizing the time the filters are in operation.

A compact design and a maximum built-in filter surface ensure the best possible flow and consequently a small differential pressure, long intervals between cleaning of the strainer element and low energy consumption.

The filter consists of two main elements

1. The filter housing, which is designed in accordance with current pressure vessel norms, in welded carbon steel or stainless acid-proof EN 1.4404 steel.
2. The strainer with its maximized surface can withstand a differential pressure of 2 bar.
The filter mesh is made of stainless steel in a hard-wearing weave.
The strainer is designed in such a way that it is easy to disassemble for efficient cleaning. This also ensures a quick and easy change of filtration degree if required.

In the standard version the direction of flow is from inside and out through the filter insert. The dirt is retained in the filter strainer, which can be lifted out and cleaned with ease. It is possible to use the strainer filter with reverse flow. This means that the dirt is retained on the outside of the strainer and it is possible to remove the sludge from the filter by fitting a valve into the drain.

The filter can also be fitted with a magnetic system which makes it possible to retain magnetic particles. The magnetic insert is designed as an integrate part of the strainer insert for simple and fast handling in connection with cleaning.

The TS 3, TS 4 and TS 5 filters are fitted with two G¹/₂B outlets for connecting pressure gauges or a differential pressure indicator, if required.

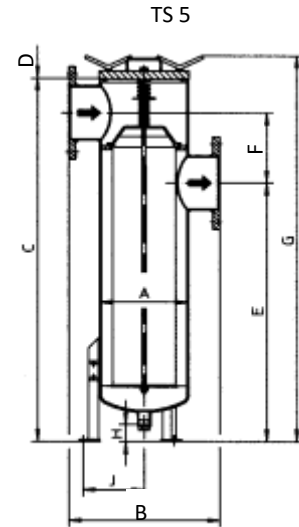
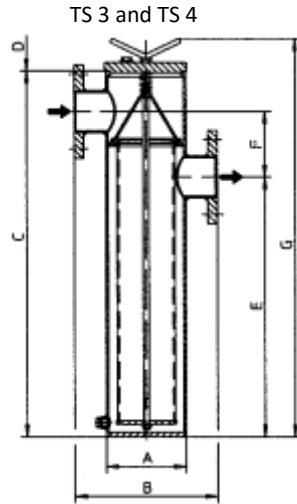
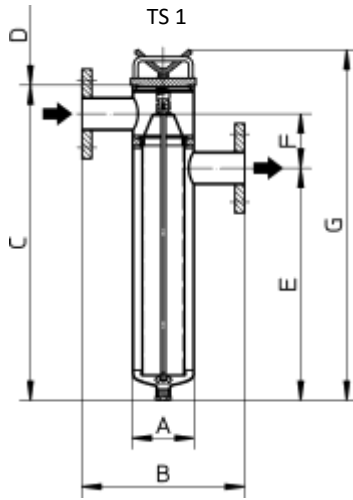
Special versions in accordance with the customers' specifications. This typically includes different choice of materials, type/size/location of connections, different pressure limits and/or temperature levels. Approval in accordance with the PED directive 97/23/EC.

For other options see also **HiFlux LSS**, **HiFlux Micro Line 1050**, **HiFlux Micro Line 1050 SS** and **TS 6 - 8**.





TS 1 - 5 Strainer Filters



Type	A	B	C	D	E	F	G	H	J	Drain	Air vent.	Connection	Weight	Volume	No. of fittings
	mm	mm	mm	mm	mm	mm	mm	mm	mm	Plug	Plug	DN	Kg	Liters	Units
TS 1-1050	114,3	300	580	520	430	100	650			G½B	G½B	50	15	5,5	2
TS 3-2130*	168,3	300	780	665	553	140	850			G½B	G½B	50	28	16	2
TS 3-2130*	168,3	300	780	665	553	140	850			G½B	G½B	80	30	16,5	2
TS 4-3175*	219,1	360	900	780	568	215	956			G½B	G½B	100	52	31	4
TS 5-4340*	273	460	1111	900	789	215	1185	100	185	G1B	G½B	150	71	54	4
TS 5-6760 *	273	460	1111	900	789	215	1185	100	185	G1B	G½B	150	72	54	4

Filters marked * have two G¹/₂B pressure outlets

HiFlux standard type TS filters are supplied in carbon steel or stainless acid-proof EN 1.4404 steel.

Design pressure: 10 bar or 16 bar
 Test pressure: According to EN 13445
 Max. differential pressure: 2,0 bar
 Max. working temperature: 110°C (water) or according to customer requirements
 Flange connection: EN 1092-1
 Filtration area: 30-60-100-150-250-300-500-1000-1500-2500 micron

Capacity:
 (at a viscosity of 1 cSt
 and as a pressure filter)

	Strainer area cm ²	Capacity in m ³ /h at a differential pressure of 0,1 bar/micron							
		30	60	100	250	500	1000	1500	2500
TS 1-1050	1050	18,0	19,0	20,0	21,0	22,0	23,0	24,0	25,0
TS 3-2130-50	2130	19,0	19,5	20,0	21,0	22,0	23,0	24,0	25,0
TS 3-2130-80	2130	41,0	43,0	45,0	47,0	49,0	50,0	52,0	53,0
TS 4-3175-100	3175	69,0	72,0	75,0	78,0	81,0	82,0	85,0	86,0
TS 5-4340-150	4340	149	157	165	173	181	186	181	181
TS 5-6760-150	6760	149	157	165	173	181	181	181	181

The filters can be fitted with the highly efficient HiFlux magnetic system for collection of magnetic particles.